

QRT35

HYDRAULIC POWER UNIT

DESCRIPTION:

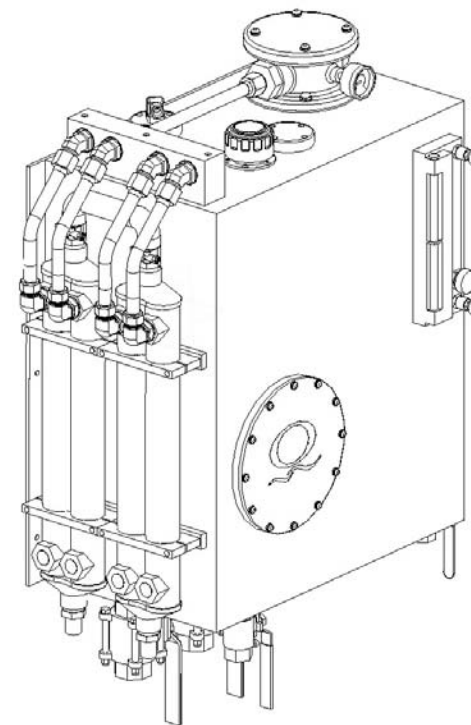
The hydraulic power unit is a machine that provides the fluid power necessary to operate a hydraulic component. Quantum's Remote Tank (QRT) unit is the oil reservoir of a hydraulic power system. Consisting of a stainless steel wall mounted oil reservoir with associated gauges, alarms, filtration, suction valves, and built-in coolers, the QRT35 unit must be coupled with a separately supplied hydraulic power supply, such as an engine or generator mounted Power Take Off (PTO) pump or one of Quantum's Remote Supply (QRS) products.

Compared with Quantum's consolidated power unit designs, the QRT and QRS products separate the core power unit functions into separate components, which provides for greater flexibility in tight machinery space arrangements. These units are particularly useful on small vessels and on vessel retrofits where clear space may be more difficult to find. The QRT35 is specially designed for application in Quantum's integrated hydraulic systems.

FEATURES:

- **INSTALLATION FLEXIBILITY:** The QRS and QRT products are smaller than their skid-mounted power unit counterparts, allowing greater flexibility for installation in tight spaces.
- **SIMPLE INSTALLATION:** The QRT35 is designed to incorporate a maximum amount of features within a wall mounted tank assembly, and to minimize connection requirements. Only a few connection points are required for mechanical installation, and hydraulic and cooling pipe work.
- **APPEARANCE:** The durable high gloss paint finish rivals the finish presented in public spaces of even the highest quality yachts. Details such as polished stainless steel tubing and black anodized manifolds make this unit a work of art as well as a practical marine-grade solution.

*Equipment is covered by Quantum's 1 year comprehensive warranty.
Service and technical support are available worldwide.*



Total Tank Capacity*	132L (35Gal)
Width (overall)**	821mm (32")
Height (overall)**	1092mm (43")
Depth (overall)**	426mm (17")
Weight (dry)	120kg (260 lbs)

**Provided for reference only. Consult a Quantum representative for system sizing.
** Dimensions are of the equipment, and do not include service allowances.*

All information contained within this document remains the absolute property of the Quantum Group and is subject to change at any time. Any use of the information for other than the intended purpose is expressly forbidden. Consult a Quantum representative for more information.

