

# QIS180

## HYDRAULIC POWER UNIT

### DESCRIPTION:

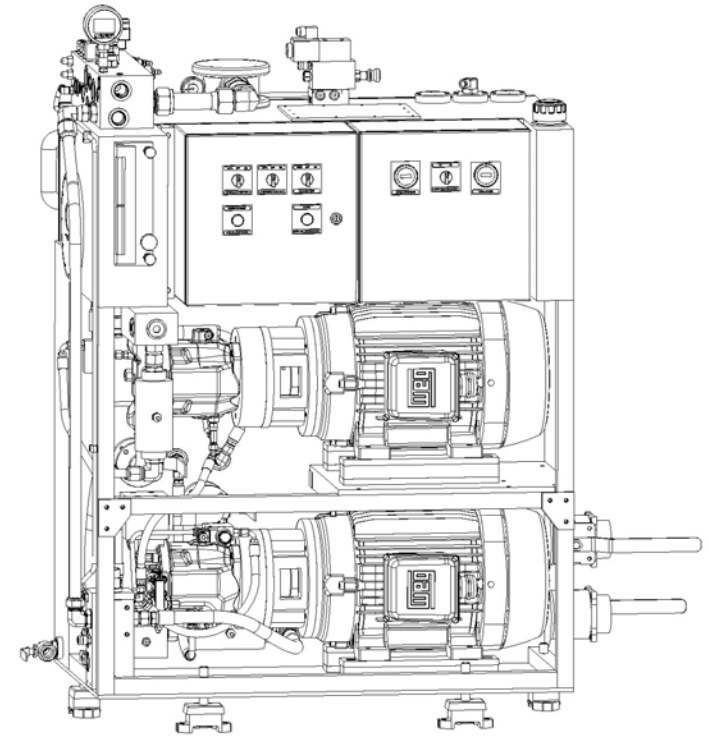
A Quantum Integrated System (QIS) hydraulic power unit combines the needs of various hydraulic components on a vessel into one central hydraulic system. Hydraulic consumers such as a stabilizer system, thruster, capstan, anchor winch, passerelle, davit, and crane are easily managed by a carefully crafted distribution system, which enables hydraulic power to be provided to any consumer(s) within the system while keeping the remaining consumers isolated and depowered. The QIS power units offer precision control of all hydraulic consumers in the system, and are easily tailored to any vessel's particular equipment requirements.

The QIS180 power unit has two electric motors and can be augmented by numerous engine mounted pumps, all using the same oil reservoir. The unit also features a sophisticated electronic control system, as well as all components needed to meet the system's power, cooling, filtration, and feedback needs incorporated into a single assembly. Designed to consolidate maximum machinery output into a small assembly. Designed to consolidate maximum machinery output into a small footprint, this compact unit can be easily positioned into most machinery spaces.

### FEATURES:

- **SIMPLE INSTALLATION:** The QIS180 is designed to incorporate maximum hydraulic function within a single assembly. Straight-forward connections for mechanical installation, as well as hydraulic and cooling pipe work are also at the heart of the QIS180 design.
- **EFFICIENT:** The power unit only draws the minimum power necessary to operate the hydraulic components in demand. It automatically shuts down electric motors when there is no demand, thus reducing the load on the vessel's electrical power and cooling systems.
- **MINIMAL NOISE:** Quantum's power units utilize a three-point isolation system to bring both noise and vibration levels down. Hydraulic noise suppressors are attached directly at pump discharge to minimize hydraulic noise in the pipes.
- **APPEARANCE:** The durable high gloss paint finish rivals the finish presented in public spaces of even the highest quality yachts. Details such as polished stainless steel tubing and black anodized manifolds make this unit a work of art as well as a practical marine-grade solution.

*Equipment is covered by Quantum's 1 year comprehensive warranty.  
Service and technical support are available worldwide.*



|                                   |                  |
|-----------------------------------|------------------|
| <b>Operating Capacity*</b>        | 37kW (50hp)      |
| <b>Maximum Operating Pressure</b> | 345bar (5000psi) |
| <b>Tank Capacity</b>              | 444L (117Gal)    |
| <b>Length (overall)**</b>         | 1496mm (58.9")   |
| <b>Height (overall)**</b>         | 1707mm (67.2")   |
| <b>Depth (overall)**</b>          | 893mm (35.2")    |
| <b>Weight (dry)</b>               | 920kg (2020 lbs) |

*\*Provided for reference only. Consult a Quantum representative for system sizing.  
\*\* Dimensions are of the equipment, and do not include service allowances.*

*All information contained within this document remains the absolute property of the Quantum Group and is subject to change at any time. Any use of the information for other than the intended purpose is expressly forbidden. Consult a Quantum representative for more information.*

INNOVATION

